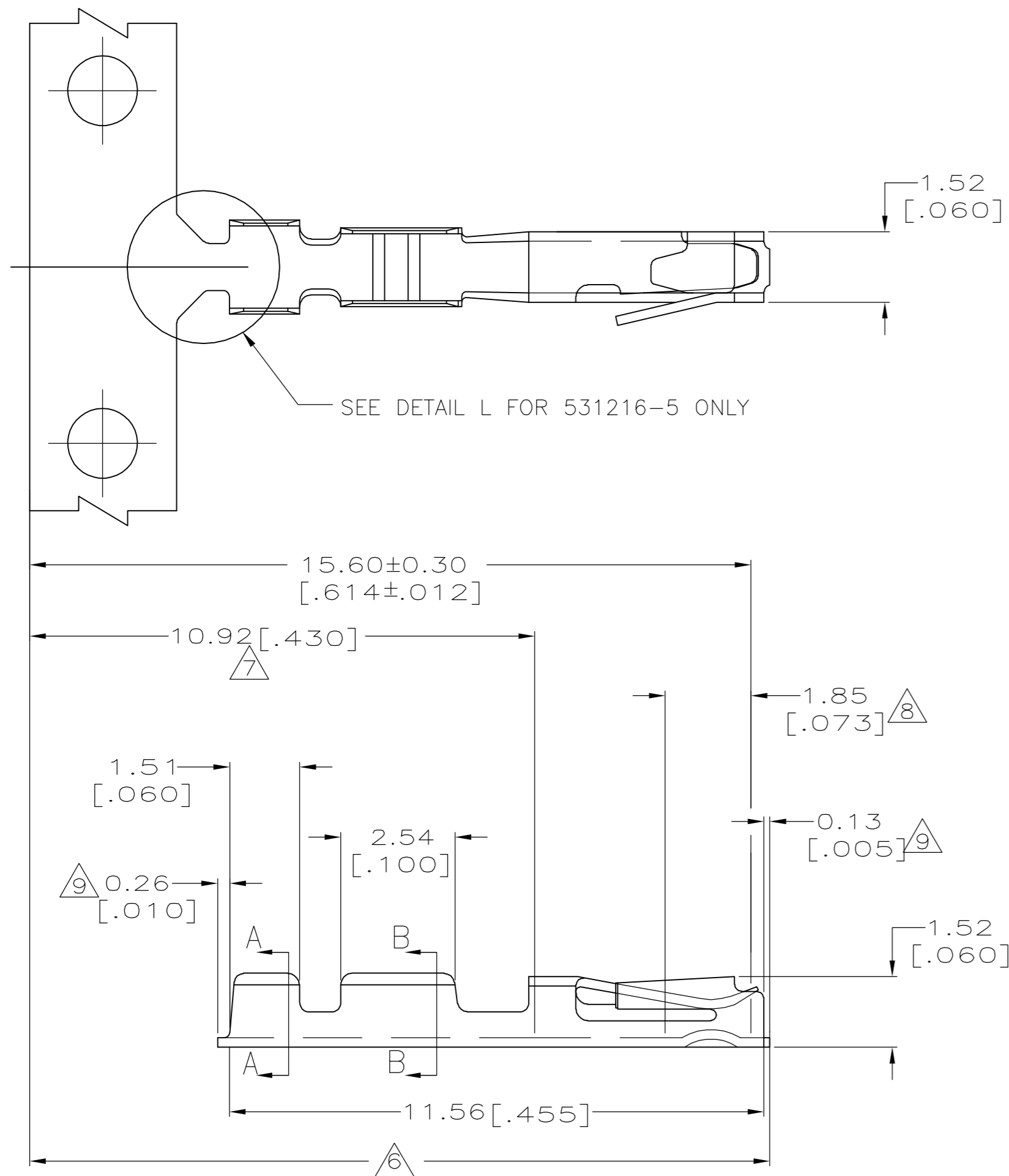


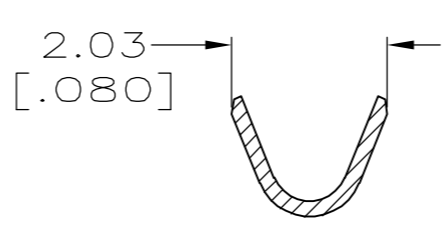
THIS DRAWING IS UNPUBLISHED. RELEASED FOR PUBLICATION
 © COPYRIGHT BY TYCO ELECTRONICS CORPORATION. ALL RIGHTS RESERVED.

| LOC | DIST | REVISIONS | | | |
|-----|------|-------------|---------------|-----------|---------|
| P | LTR | DESCRIPTION | DATE | DWN | APVD |
| AD | 00 | G | ECO-07-000840 | 17JAN2007 | LAM AWF |

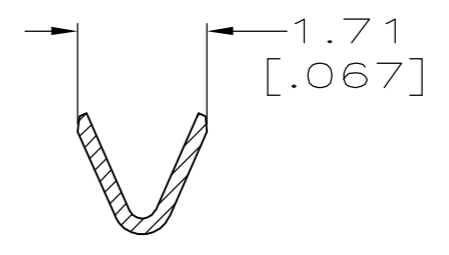


SEE DETAIL L FOR 531216-5 ONLY

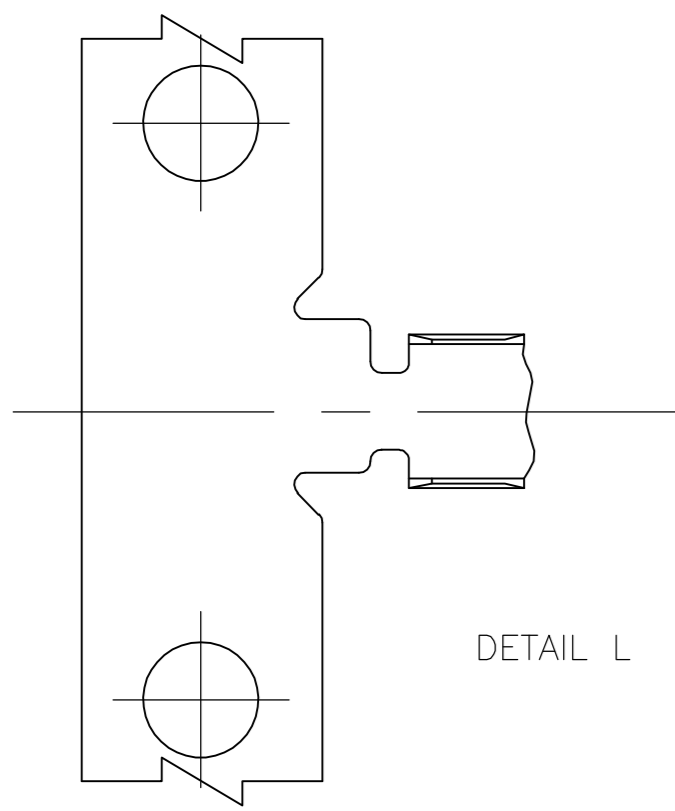
1. WIRE RANGE 22-26 AWG.
2. INSULATION RANGE 0.91-1.37 [.036-.054] DIA.
3. PREPLATED 0.00127 [.000050] MIN TIN-LEAD IN ZONES I & II, 0.000762 [.000030] MIN GOLD OVER 0.000762 [.000030] MIN NICKEL INLAY IN ZONE III.
4. PREPLATED 0.00127 [.000050] MIN TIN-LEAD IN ZONES I & II, 0.00127 [.000050] MIN GOLD OVER 0.000762 [.000030] MIN NICKEL INLAY IN ZONE III.
5. PHOSPHOR BRONZE.
6. ZONE I (OUTSIDE SURFACES).
7. ZONE II (INSIDE SURFACES).
8. ZONE III (INSIDE SURFACES).
9. MAXIMUM CUTOFF.



SECTION A-A



SECTION B-B



DETAIL L

| | | | |
|----------|--------|---------------------|---------------|
| | 4 | - | 531216-5 |
| | 4 | 531216-4 | 531216-3 |
| OBSOLETE | 3 | 531216-2 | 531216-1 |
| | FINISH | LOOSE PIECE PART NO | STRIP PART NO |

| | | | | |
|--|--|------------------|-----------|--|
| THIS DRAWING IS A CONTROLLED DOCUMENT. | | DWN | 08JAN99 | Tyco Electronics Corporation Harrisburg, Pa 17105-3608 |
| DIMENSIONS: mm [INCHES] | | CHK | 08JAN99 | |
| TOLERANCES UNLESS OTHERWISE SPECIFIED: | | APVD | 08JAN99 | |
| 0 PLC ± - 1 PLC ± - 2 PLC ± - 3 PLC ± 0.13[.005] 4 PLC ± - ANGLES ± - | | NAME | | |
| MATERIAL 531216-4 | | PRODUCT SPEC | 108-25031 | CONTACT, RECEPTACLE, LOW PRESSURE MINI-TANDEM SPRING |
| FINISH - | | APPLICATION SPEC | 114-25021 | RESTRICTED TO |
| | | WEIGHT | - | SIZE A2 |
| | | CUSTOMER DRAWING | | CAGE CODE 00779 |
| | | SCALE | 4:1 | DRAWING NO C=531216 |
| | | SHEET | 1 OF 1 | REV G |

531216